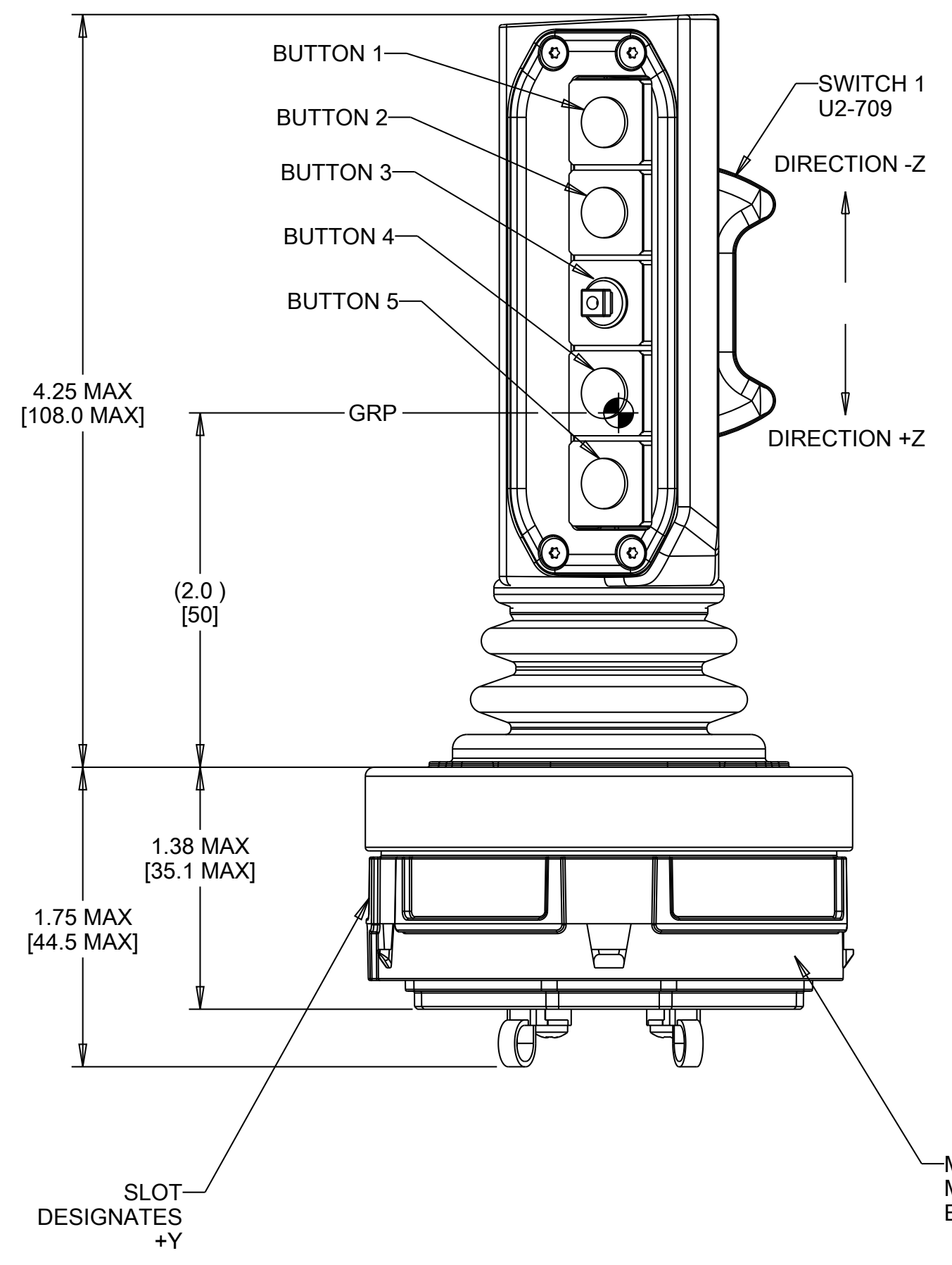
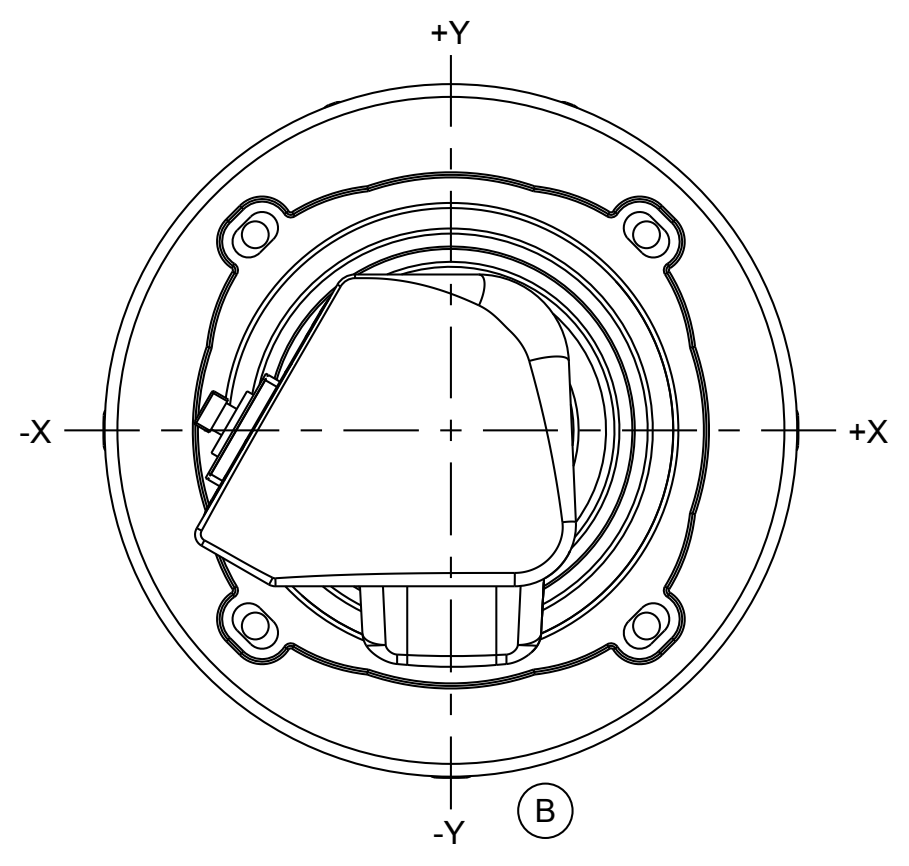
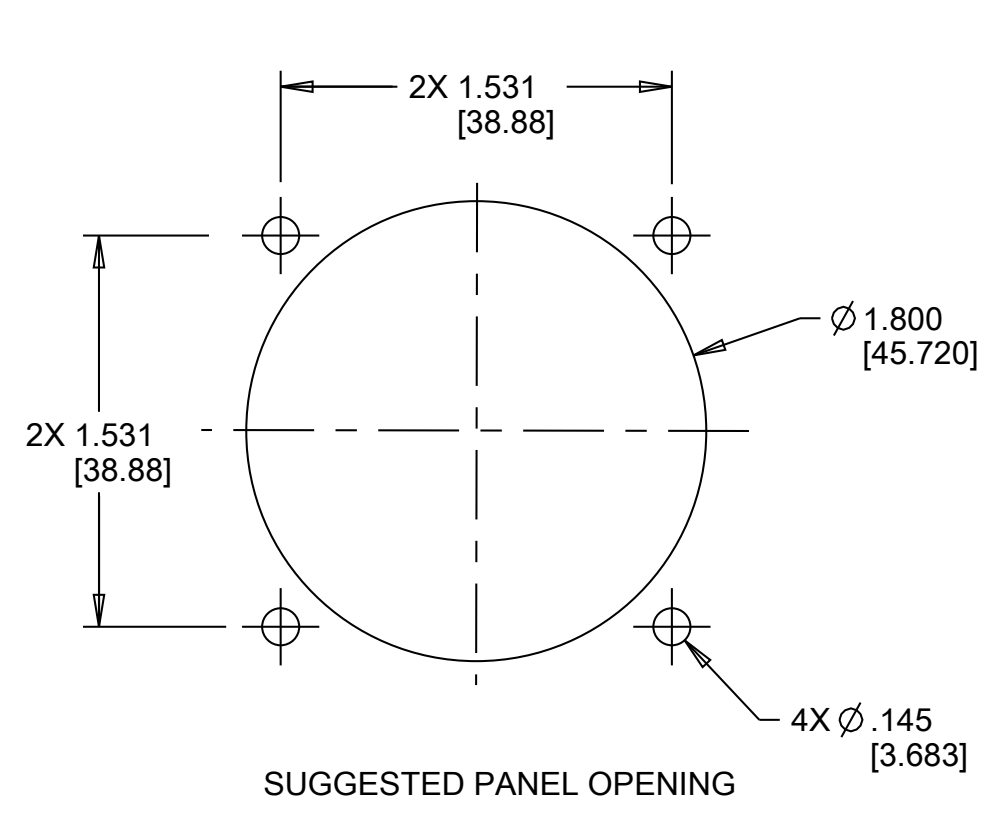


MARKING  $\triangle 3$   
 MARK ON THIS SURFACE.  
 EITHER SIDE, ONE SIDE ONLY



MARKING  $\frac{\Delta}{3}$  MARK ON THIS SURFACE. EITHER SIDE, ONE SIDE ONLY

