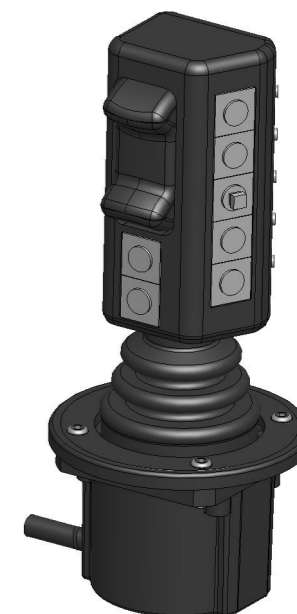


Connectors

C1:Deutsch DTM04-6P
 C2:Deutsch DTM04-8PA
 C3:Deutsch DTM06-6S
 Cable Length: 350mm

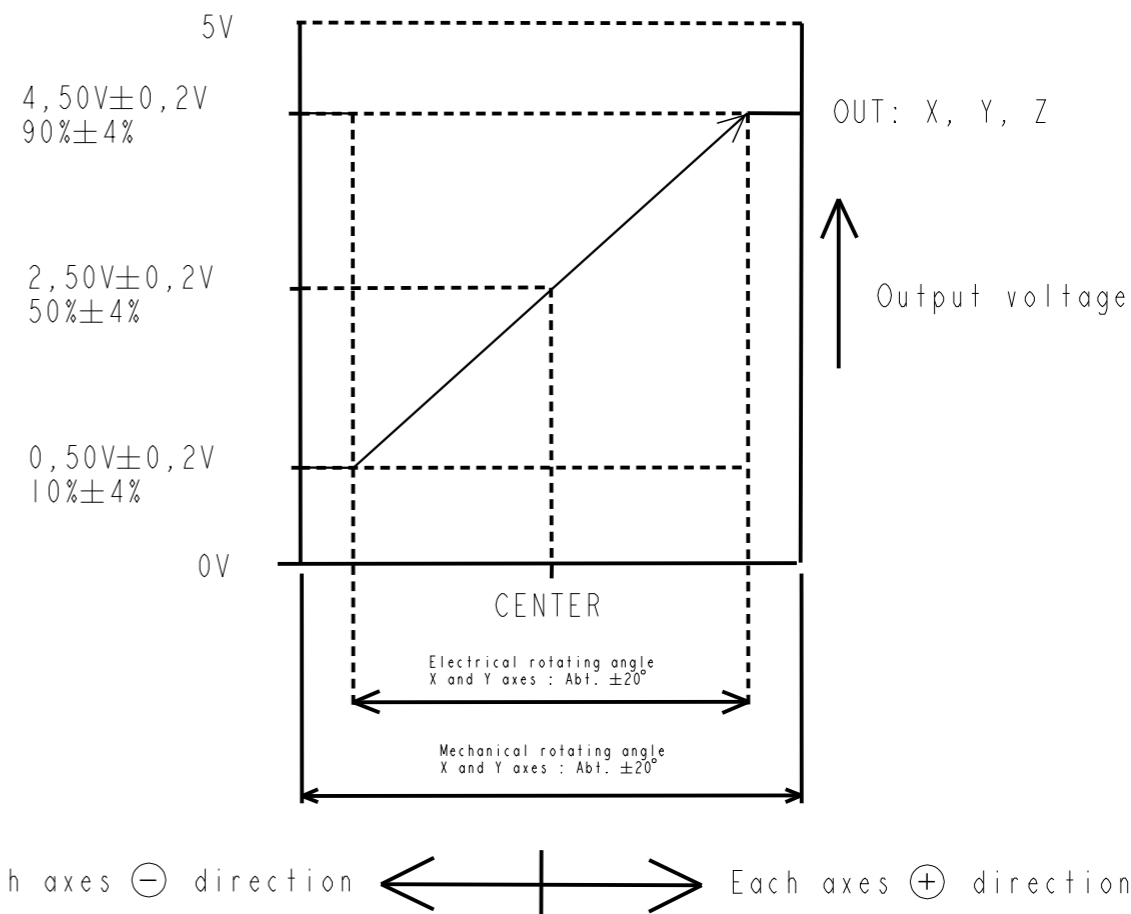
Description

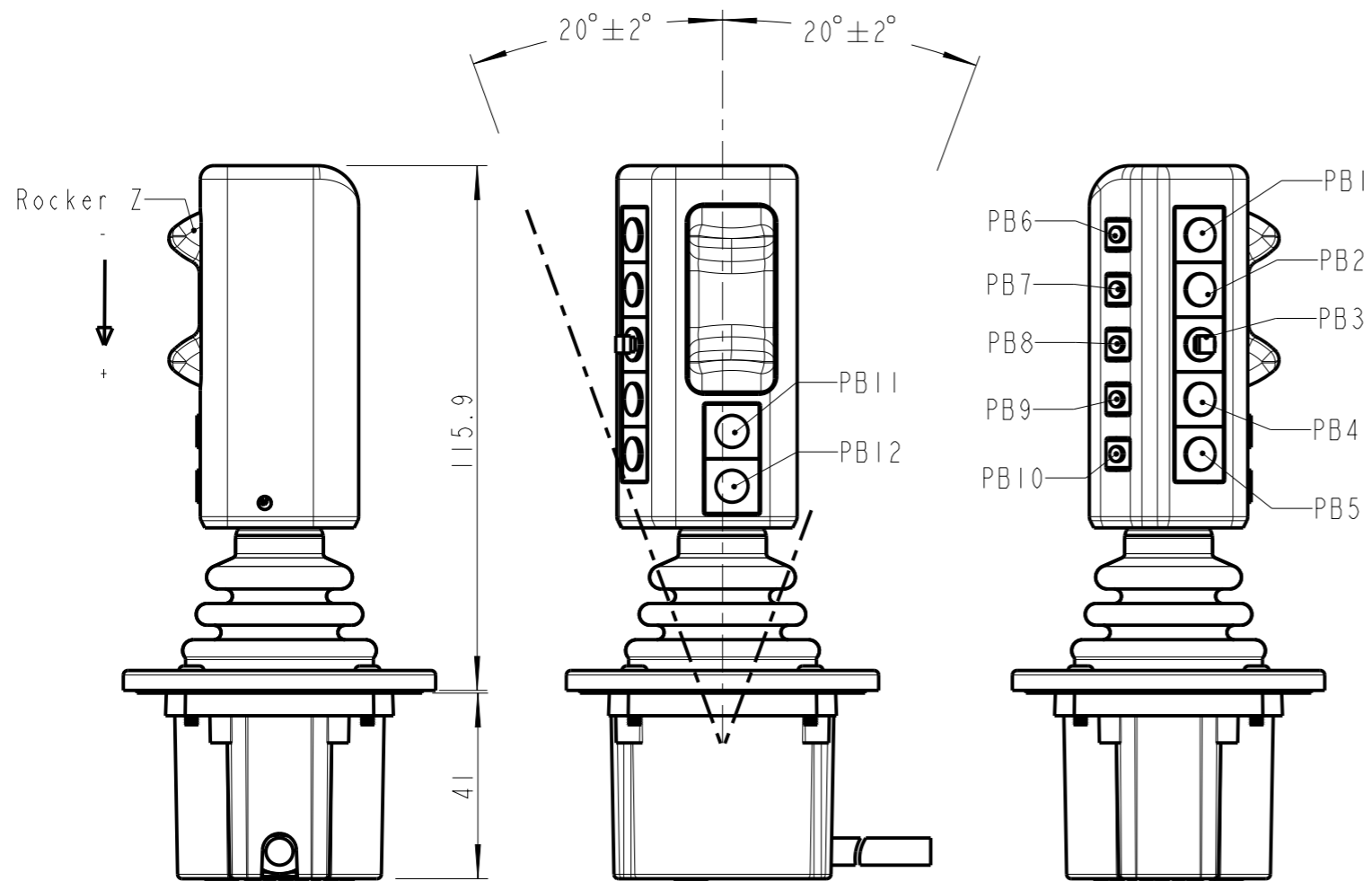
Pin:	Function:	Color:
C1-1	+5VDC	Red
C1-2	Out X	White
C1-3	Out Y	Blue
C1-4	Out Z	Yellow
C1-5	GND	Black
C1-6	-	-
C2-1	COM PB1-12	Grey
C2-2	PB1	Orange
C2-3	PB2	Green
C2-4	PB3	Purple
C2-5	PB4	Brown
C2-6	PB5	Pink
C2-7	PB6	Blue/White
C2-8	PB7	Green/White
C3-1	PB8	Brown/White
C3-2	PB9	Pink/White
C3-3	PB10	Black/White
C3-4	PB11	White/Black
C3-5	PB12	Yellow/Black
C3-6	-	-



SCALE 1:2

OUTPUT CHARACTERISTICS





Connectors

C1: Deutsch DTM04-6P
 C2: Deutsch DTM04-8PA
 C3: Deutsch DTM06-6S
 Cable Length: 350mm

Description

Pin:	Function:	Color:
C1-1	+5VDC	Red
C1-2	Out X	White
C1-3	Out Y	Blue
C1-4	Out Z	Yellow
C1-5	GND	Black
C1-6	-	-
C2-1	COM PB1-12	Grey
C2-2	PB1	Orange
C2-3	PB2	Green
C2-4	PB3	Purple
C2-5	PB4	Brown
C2-6	PB5	Pink
C2-7	PB6	Blue/White
C2-8	PB7	Green/White
C3-1	PB8	Brown/White
C3-2	PB9	Pink/White
C3-3	PB10	Black/White
C3-4	PB11	White/Black
C3-5	PB12	Yellow/Black
C3-6	-	-



SCALE 1:2

OUTPUT CHARACTERISTICS

